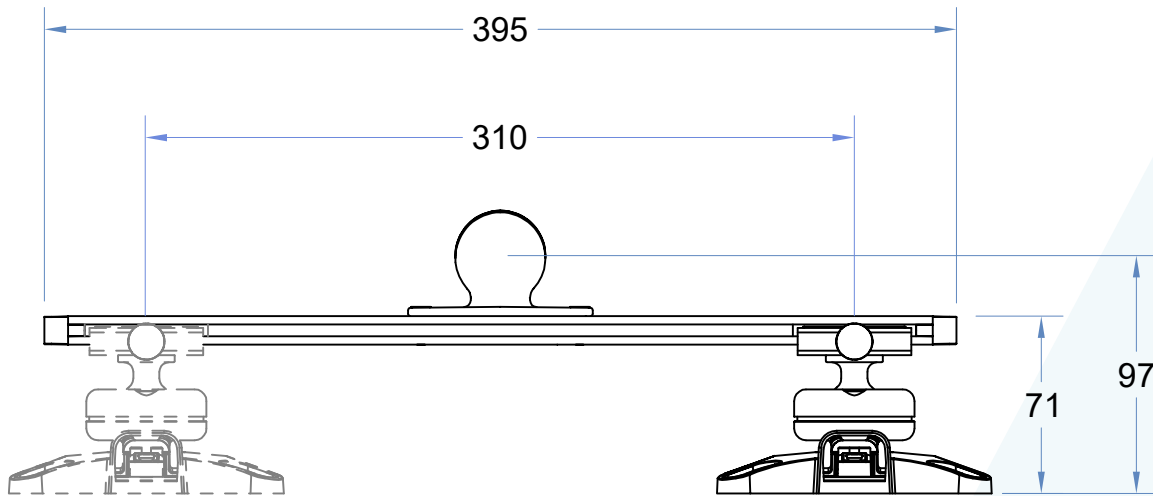
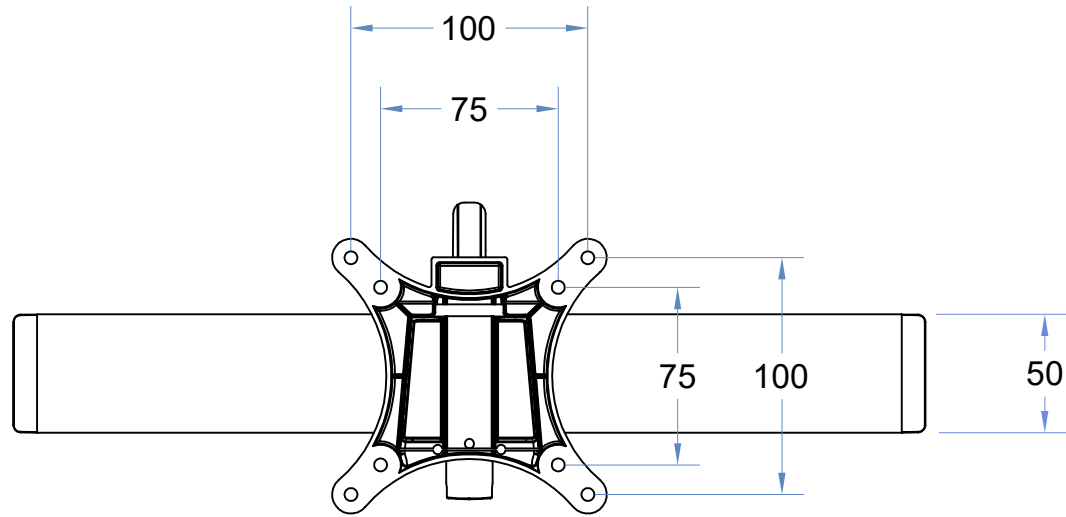
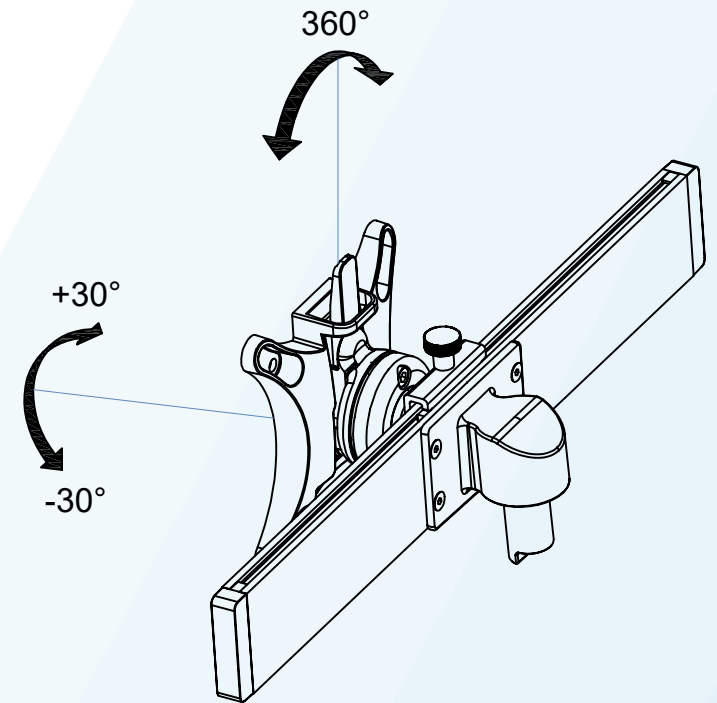


Technical specification sheet



mm

Product Dimensions



Product adjustment angle