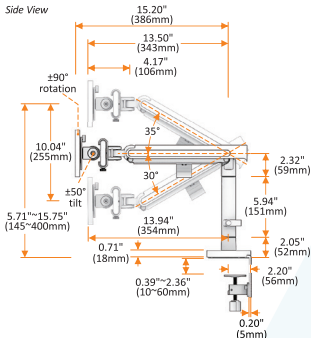
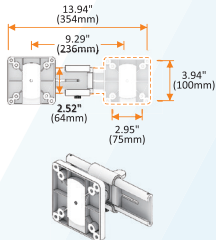


Technical specification sheet

Side View



Back View
Monitor VESA Plate



Top View

