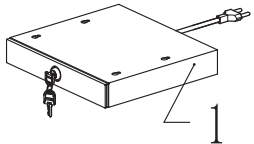


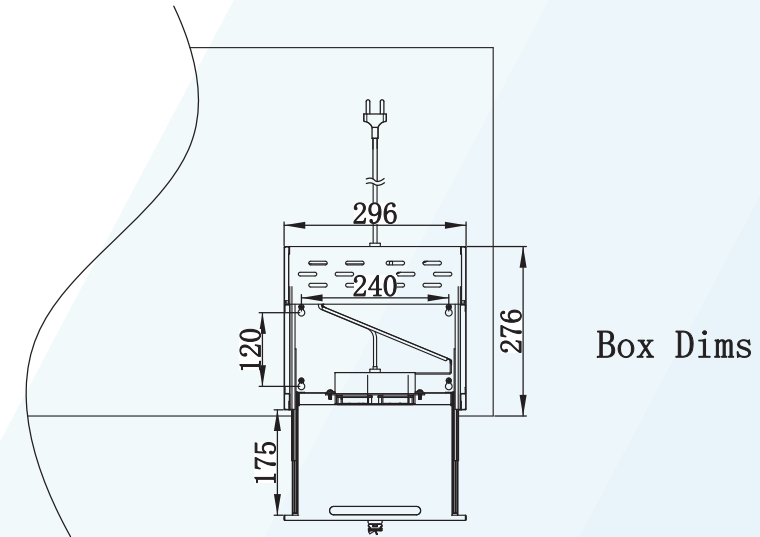


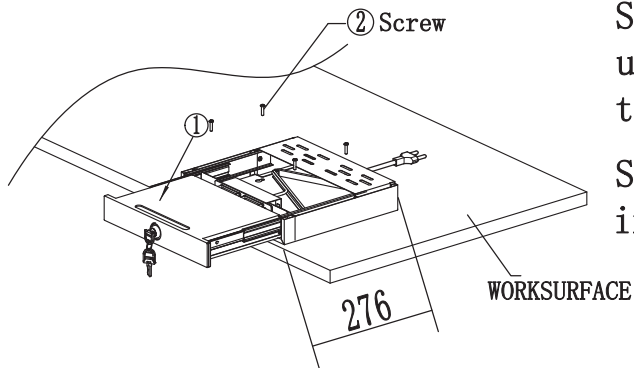
Technical specification sheet

809116/809117 PARTS LIST

PHOTO	DESCRIPTION	QUANTITY
	Power Mini Drawer Box	1
	5*25 Screws	4
	Key	1



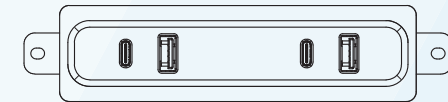
INSTALLATION



STEP ① : Put the power drawer box under the worksurface and pull out the drawer

STEP ② : With screw driver to install the 4 screws to fix the box

USB RATING



In-drawer electrical outlet

Model: 809116/809117 90-250V, 50/60Hz 42W

Connected to one of the two ports:

USB-A:5V3A, 9V2A, 12V1.5A(18W MAX)

USB-C:5V3A, 9V2A, 12V1.5A(18W MAX)

Both Ports Connected: USB-A and USB-C:

5V3A(15W MAX)

FOR INDOOR USE ONLY