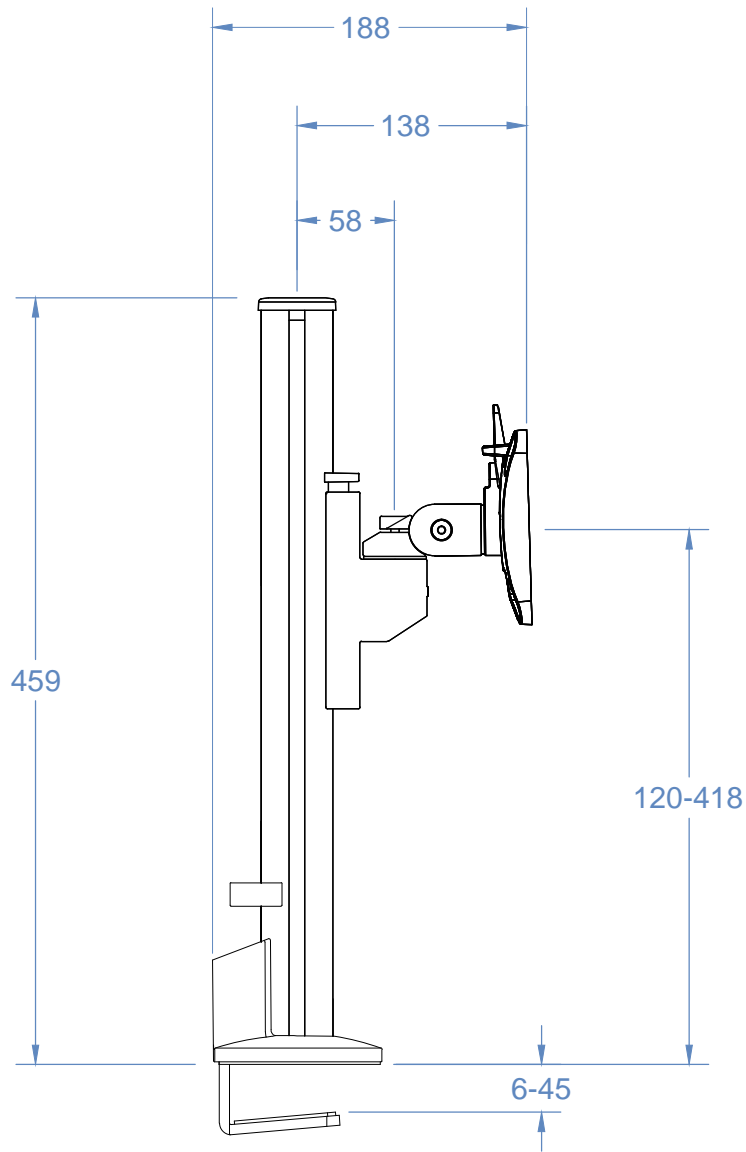
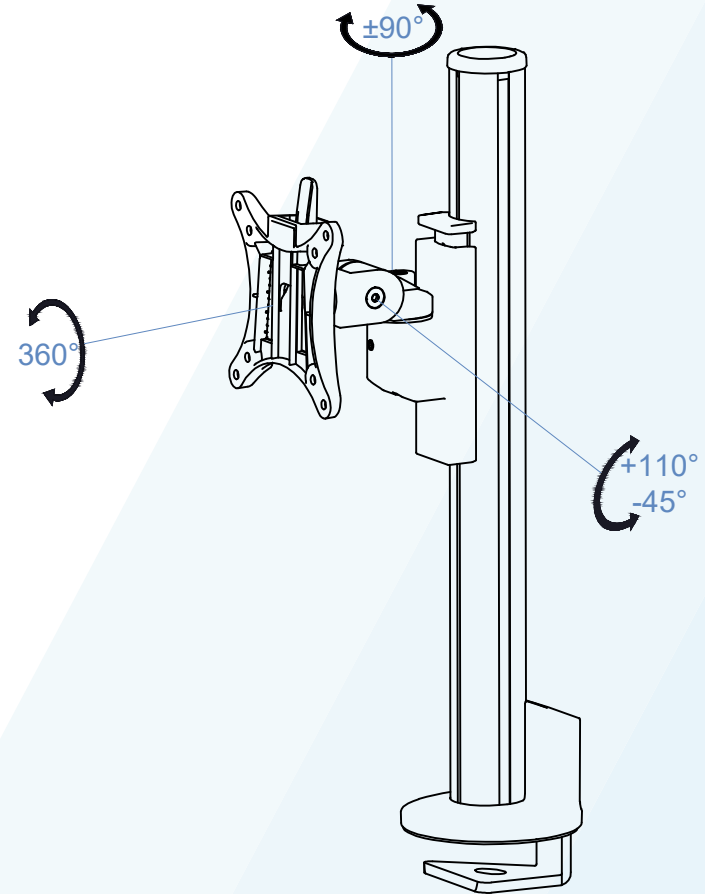


Technical specification sheet

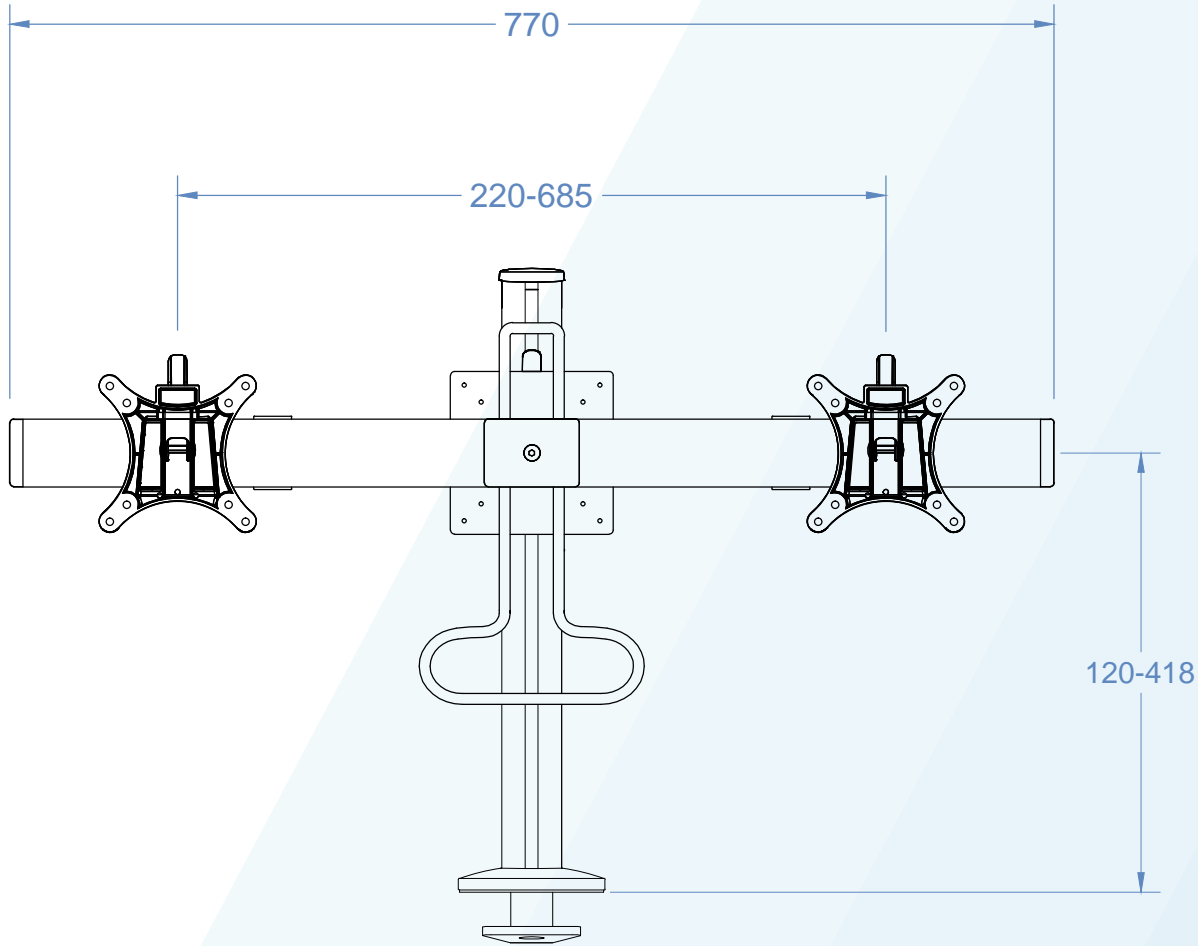
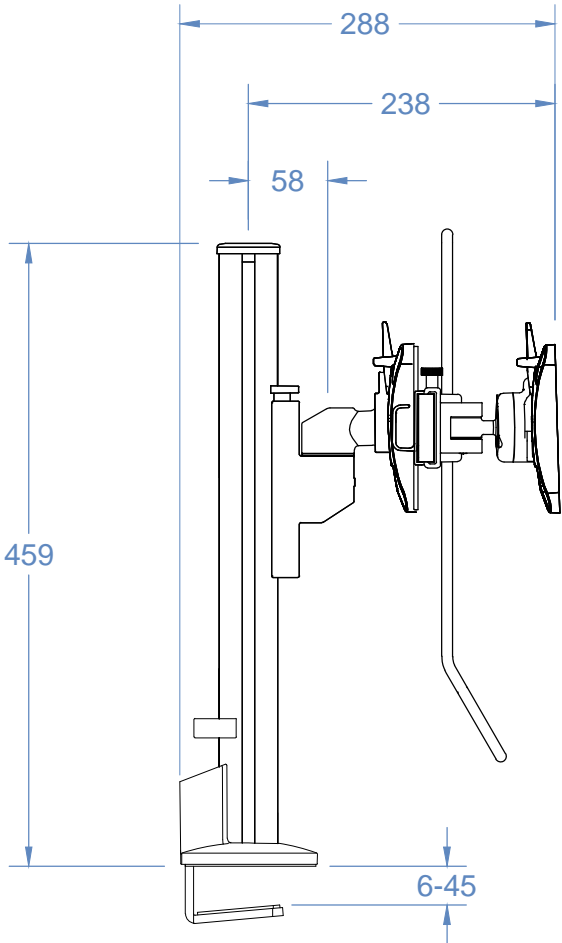


Product Dimensions mm



Product adjustment angle

Technical specification sheet



Product Dimensions