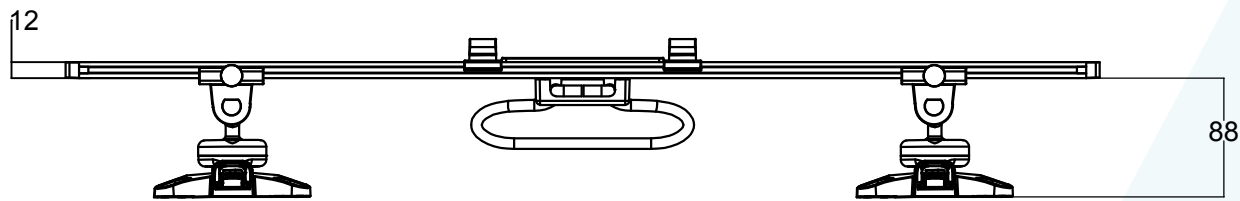
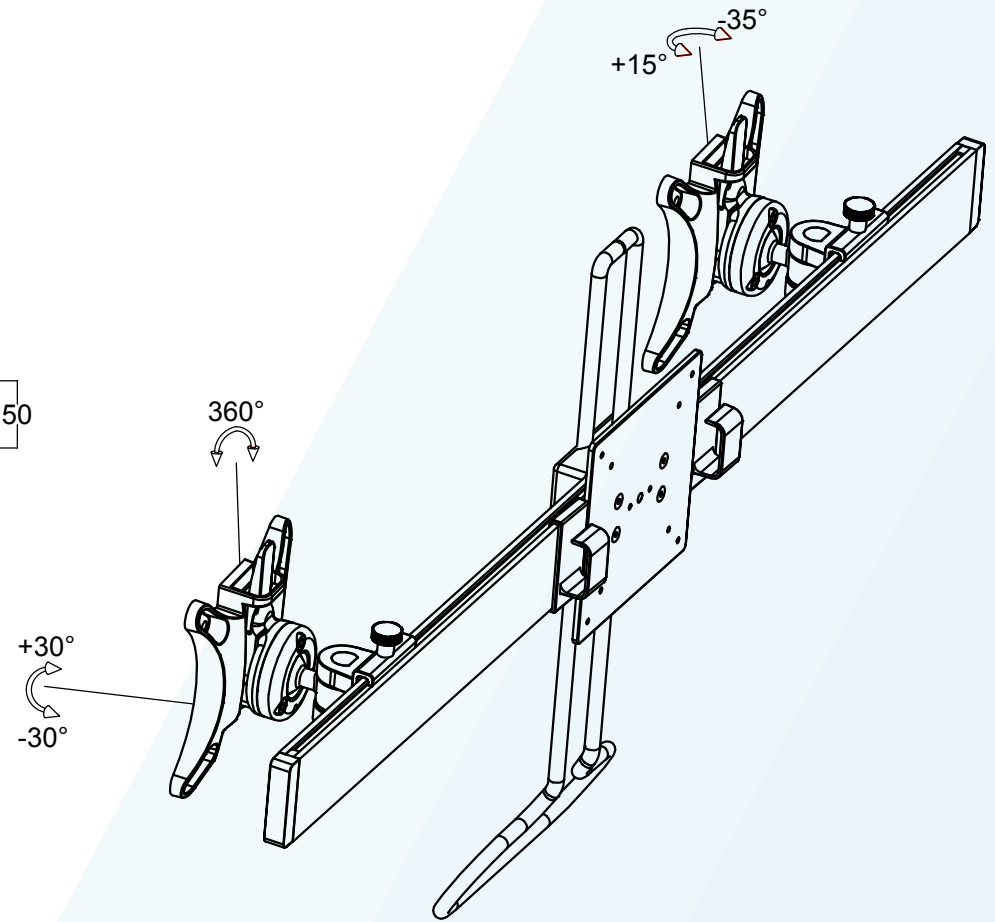
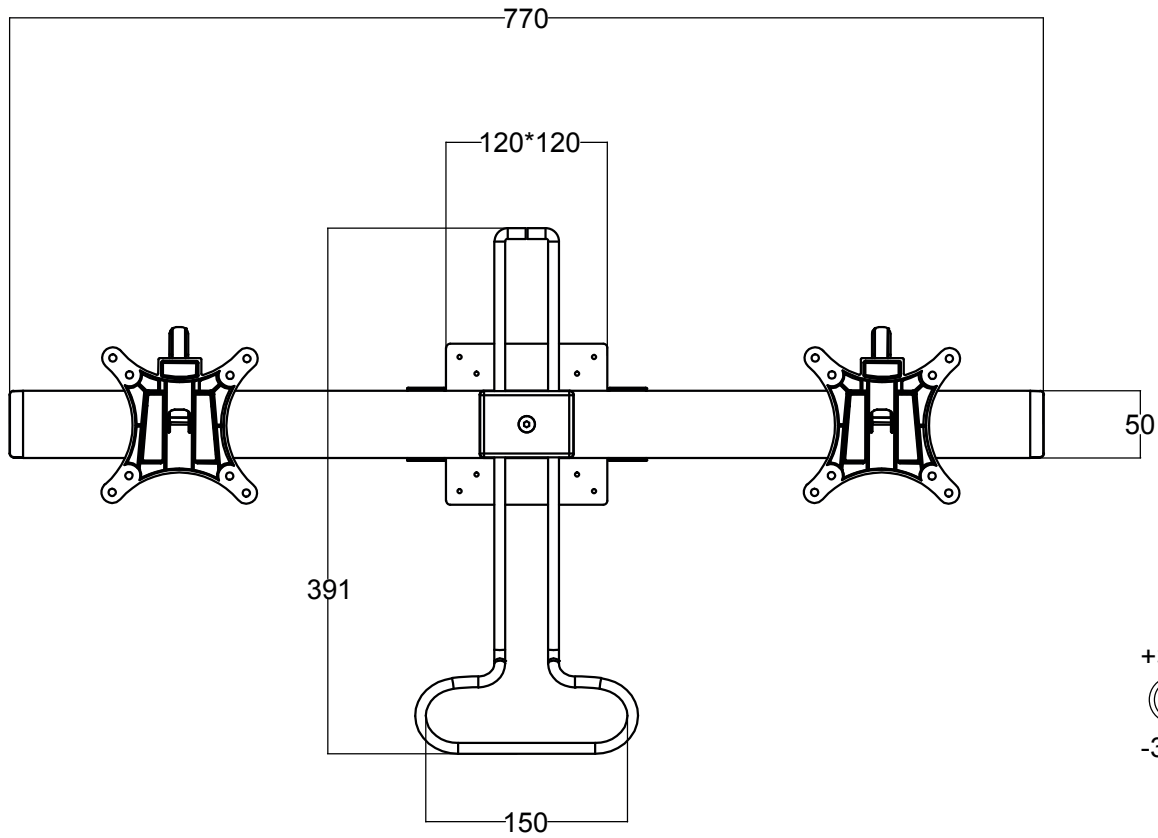


# Technical specification sheet



Product Dimensions mm