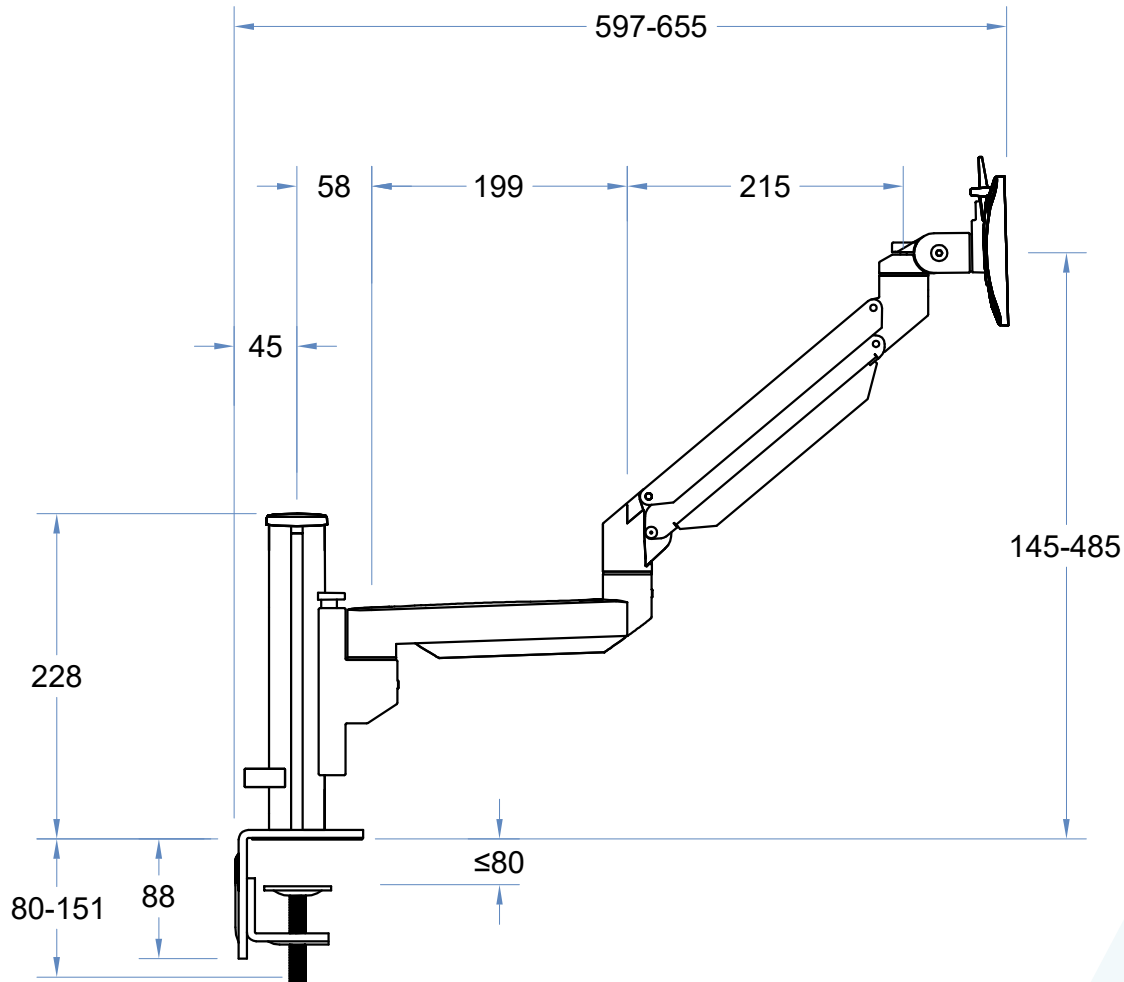
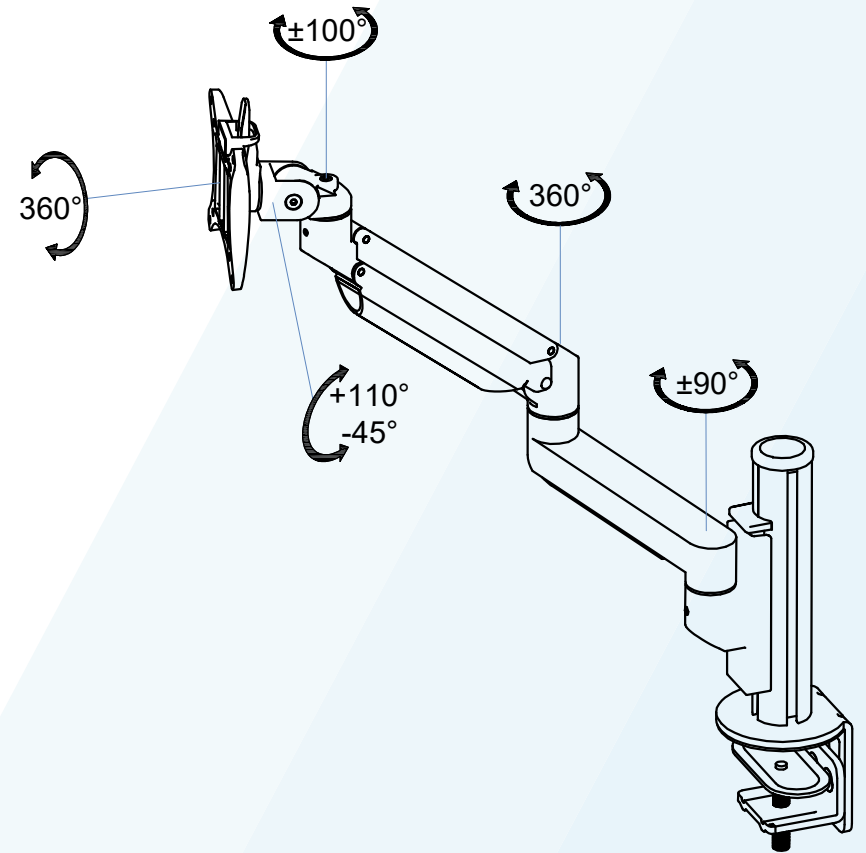


# Technical specification sheet



Product Dimensions mm



Product adjustment angle